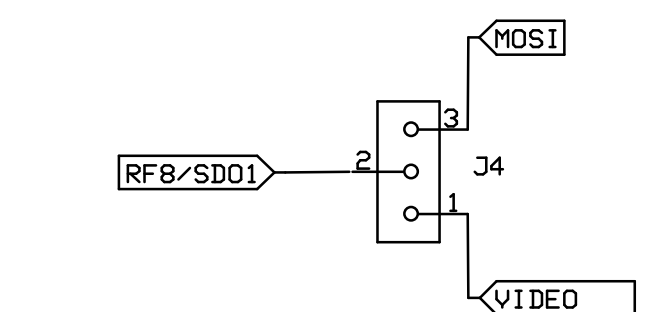
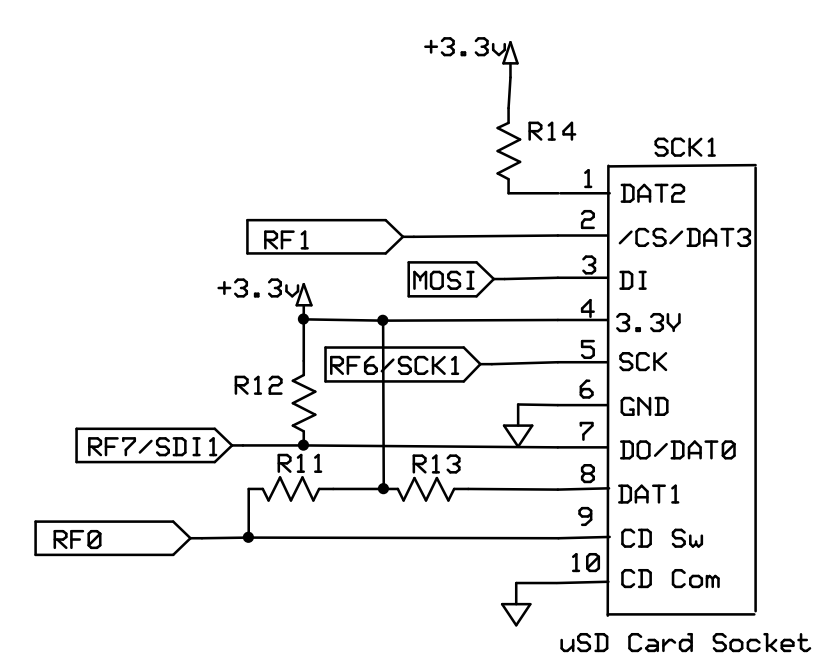
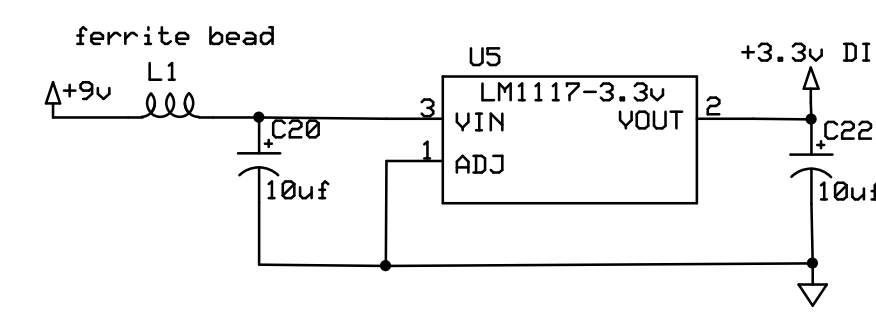
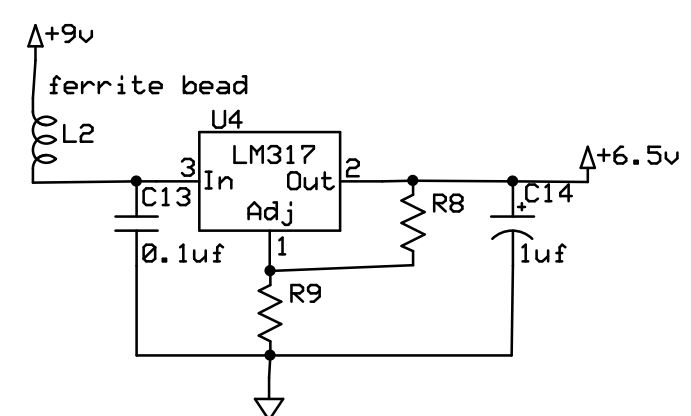
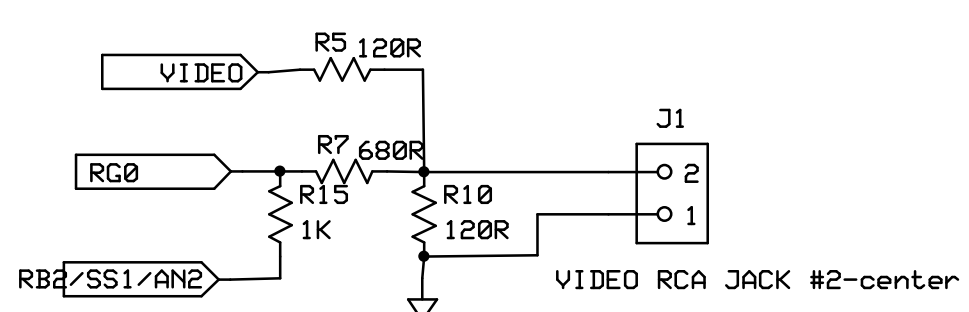
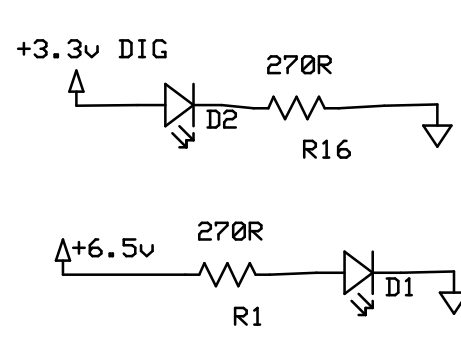
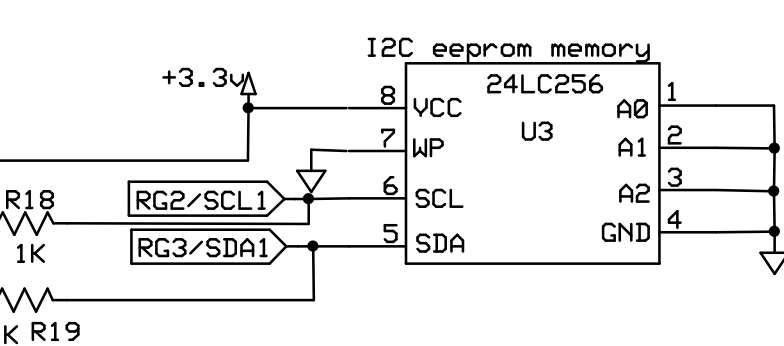
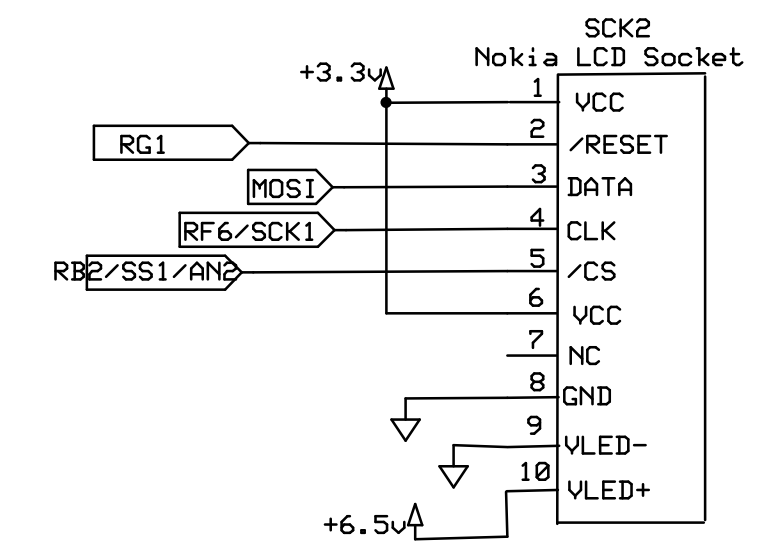
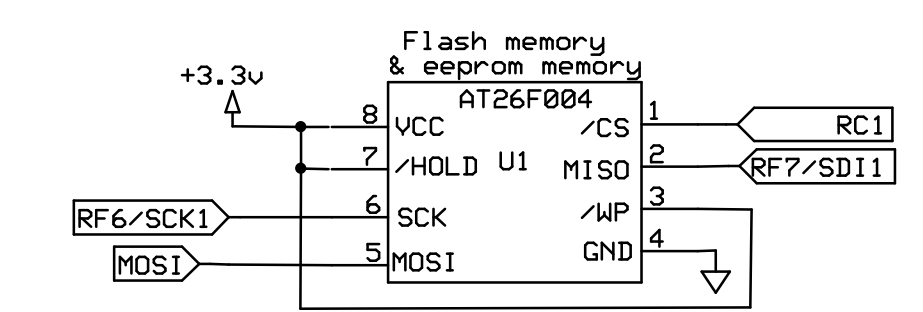
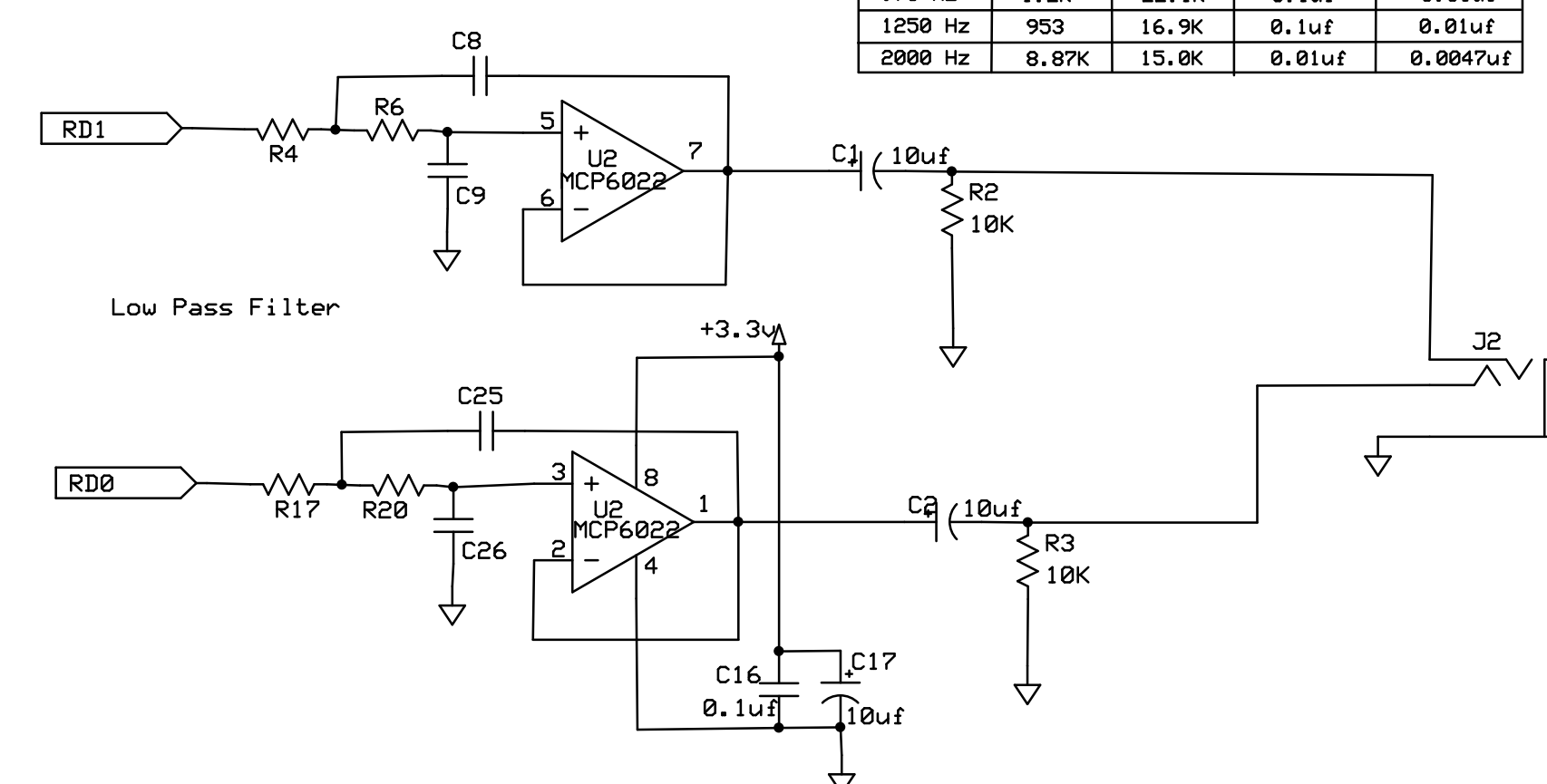


Sample values for 2nd order Low Pass Filter

Frequency	R4,R17	R6,R20	C8,C25	C9,C26
850 Hz	1.4K	24.9K	0.1uf	0.01uf
970 Hz	1.2K	22.1K	0.1uf	0.01uf
1250 Hz	953	16.9K	0.1uf	0.01uf
2000 Hz	8.87K	15.0K	0.01uf	0.0047uf



Copyright © Eflightworks 2008
All rights reserved

Version	Rev	Date	By	Comment
1.0	NC		eo	Initial version
1.1	NC	6/23/08	eo	Updated Cap & Res values
1.1	A	7/3/08	eo	Changed aux 3.3v to LM1117

Eflightworks
Eden, NY 14057

AV-32/E Breakout Board

E. Ohmit	Ver 1.1 Rev A 7/3/2008	Page 1 of 1
----------	---------------------------	-------------